

07/2015

Mod: MC1/2-TP

Production code: 35605099KB



Diamond
catering equipment

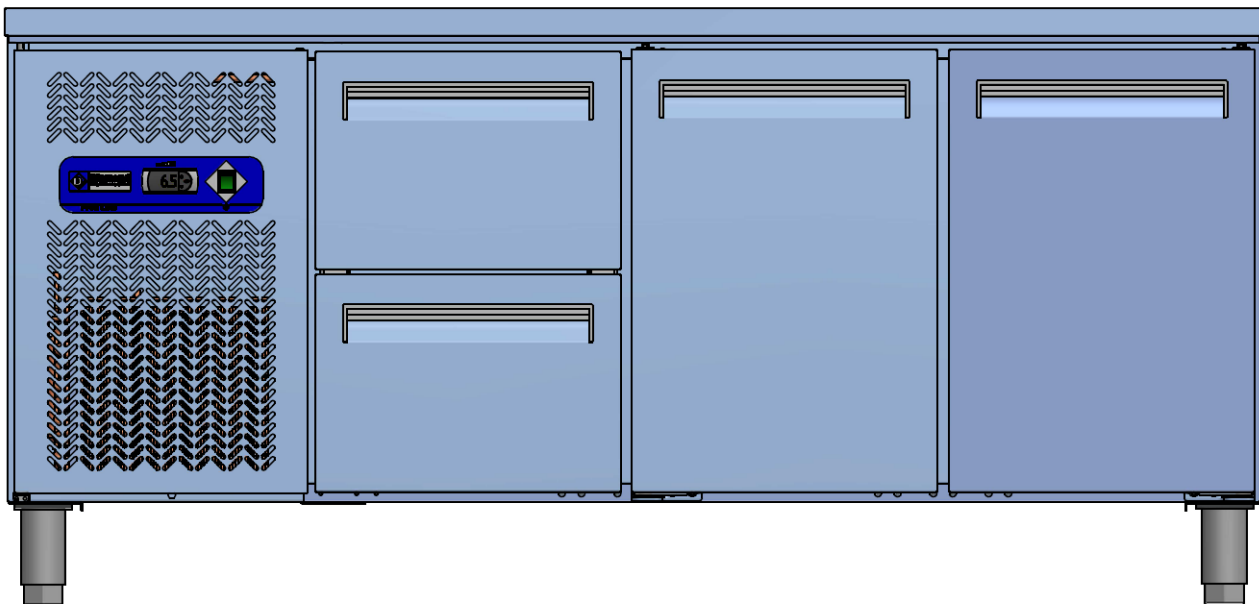
DIAMOND TABLES KIT DRAWERS

There are two tables of cooling ranges within the brand Diamond, tables Gastro (MR) and Snack tables (BMIV). For these tables there are some crates Kit can be mounted on any table with doors, in the hole that sticks to the condensing unit, replacing the door located in the gap.

The different codes for this kit would be the following:

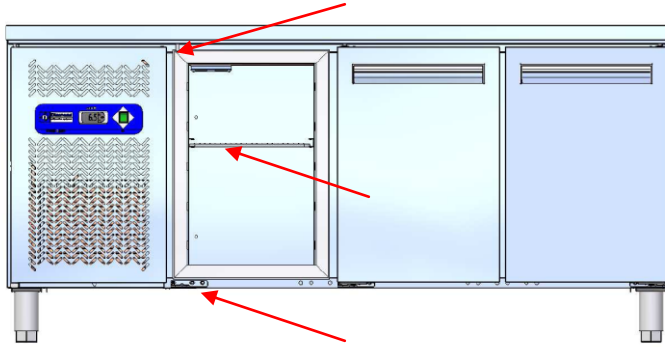
- GN tables (MR):
 - **18G911204000 KIT.CAJ.(1/2+1/2)GN DIAMOND**
- Snack tables (BMIV):
 - **18G911104000 KIT CAJ.(1/2+1/2)SNACK DIAMOND**

Situation diagram tables:

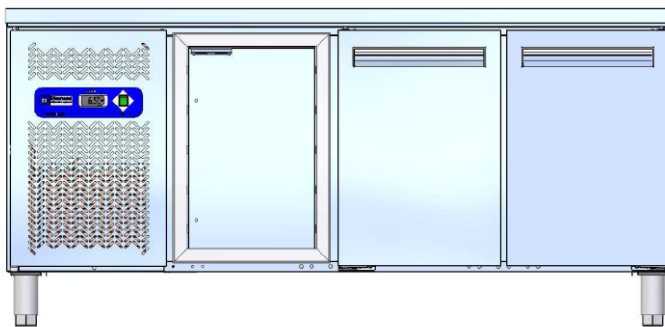


The following describes the process of assembling a kit of balls in a table:

1. We removed the door of the hole in which to mount Kit (located next door group).



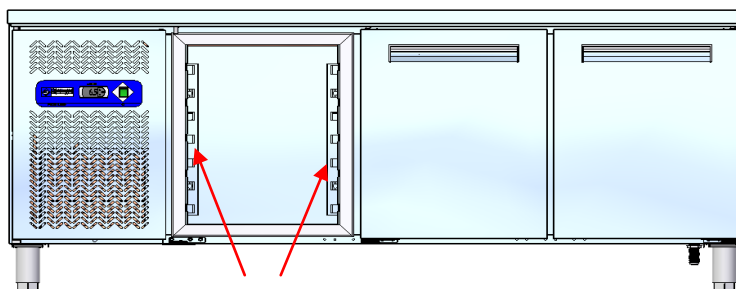
2. We removed the lower hinge bracket and the upper edge of the upper bracket door, along with the grid and guides.



3. Dismantle left side zipper inside for MR and zippers left and right for BMIV support.

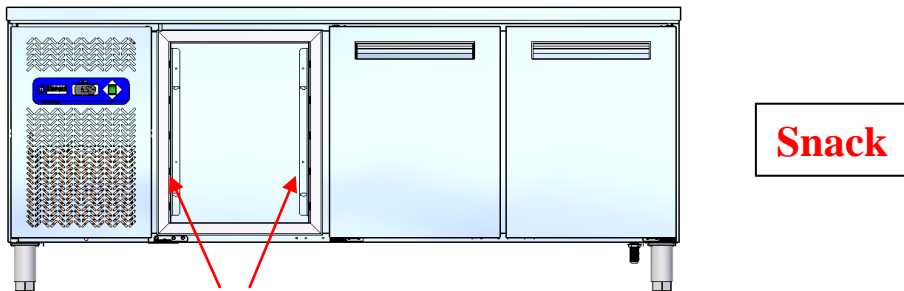
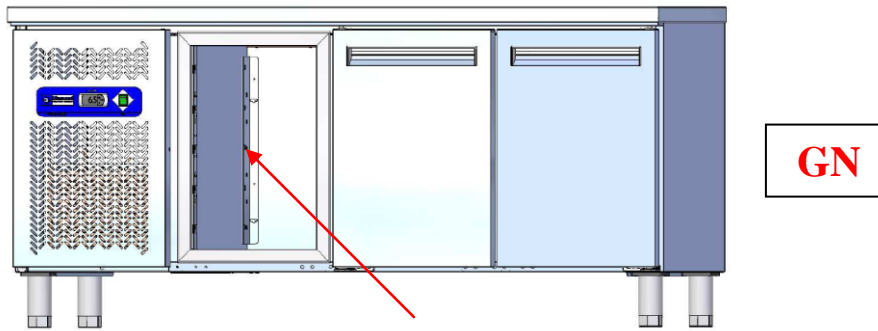


GN

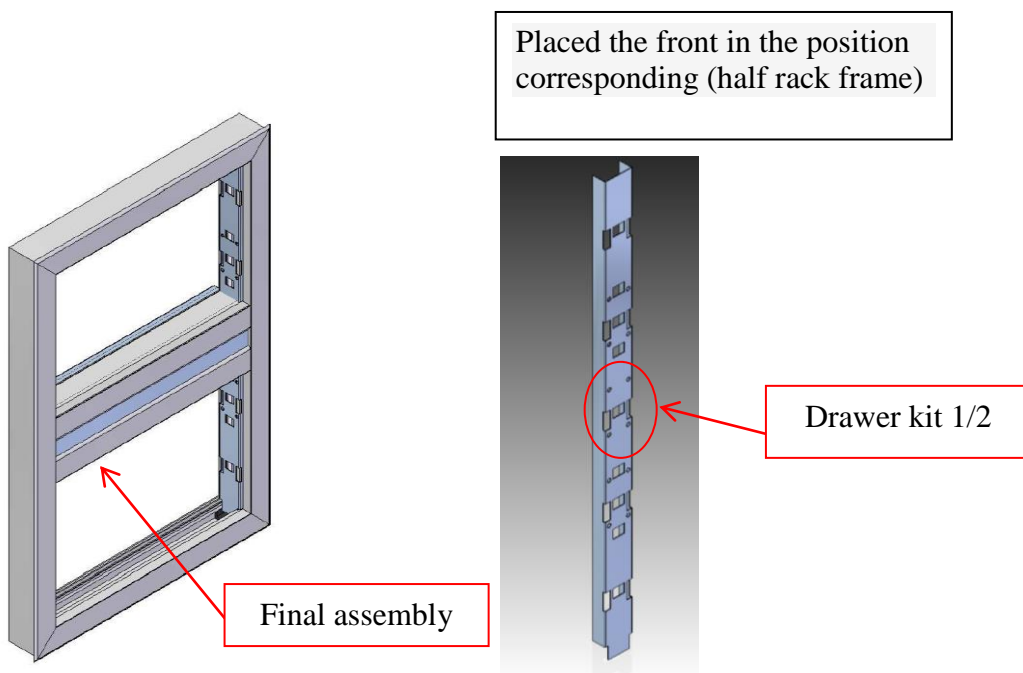


Snack

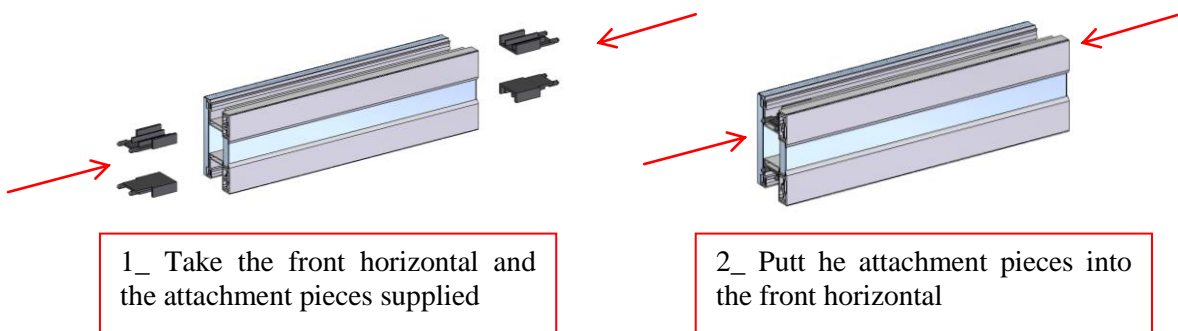
4. We set the racks in "L" supplied with the kit drawers.

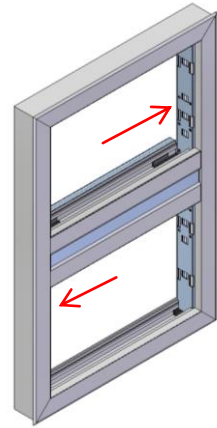
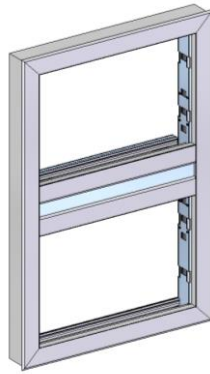
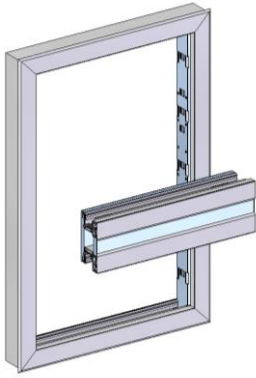


5. We put the front horizontal:



▪ Mounting steps:

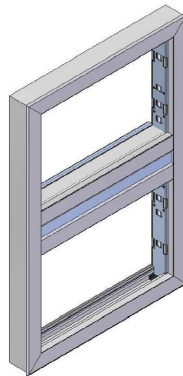
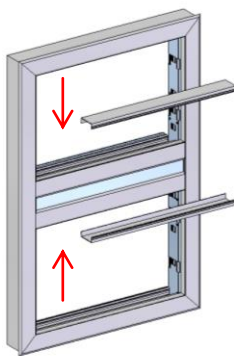




3_ Position the front horizontal and locate the holes for fixing.

4_ Insert the front horizontal in the frame to align the outer.

5_ The attachment pieces insert into their holes, pushing them into the racks.

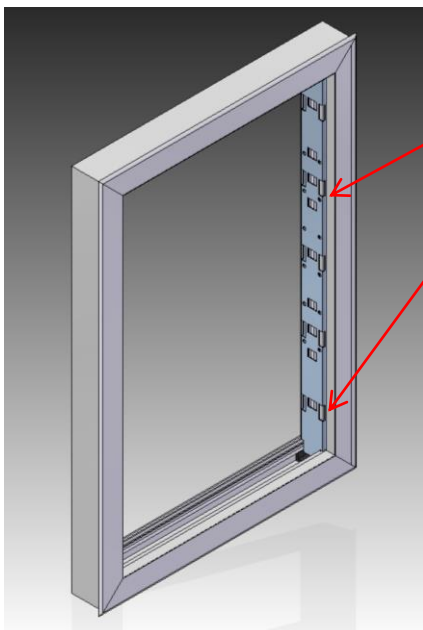


6_ Now place the caps on the front horizontal supplied with the kit drawers.

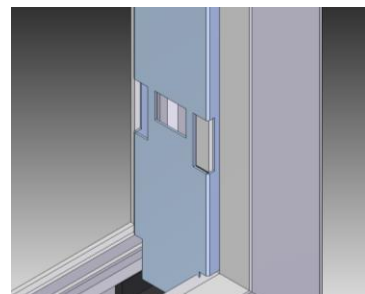
7_ At this point, we have prepared the framework for mounting the drawers.

6. We place the guides in the corresponding positions:

- Frame racks (GN and Snack):

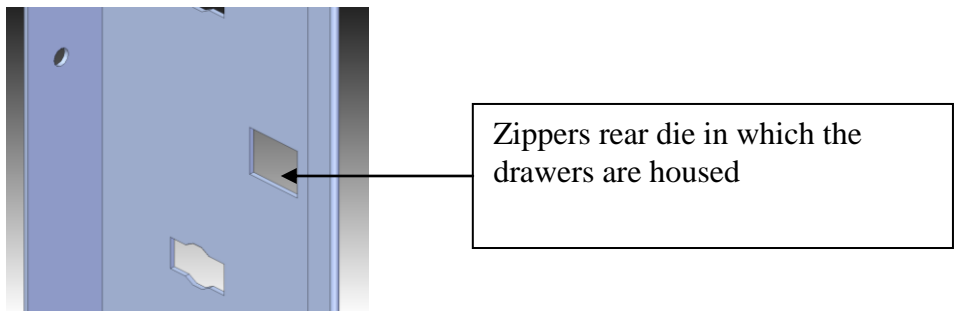
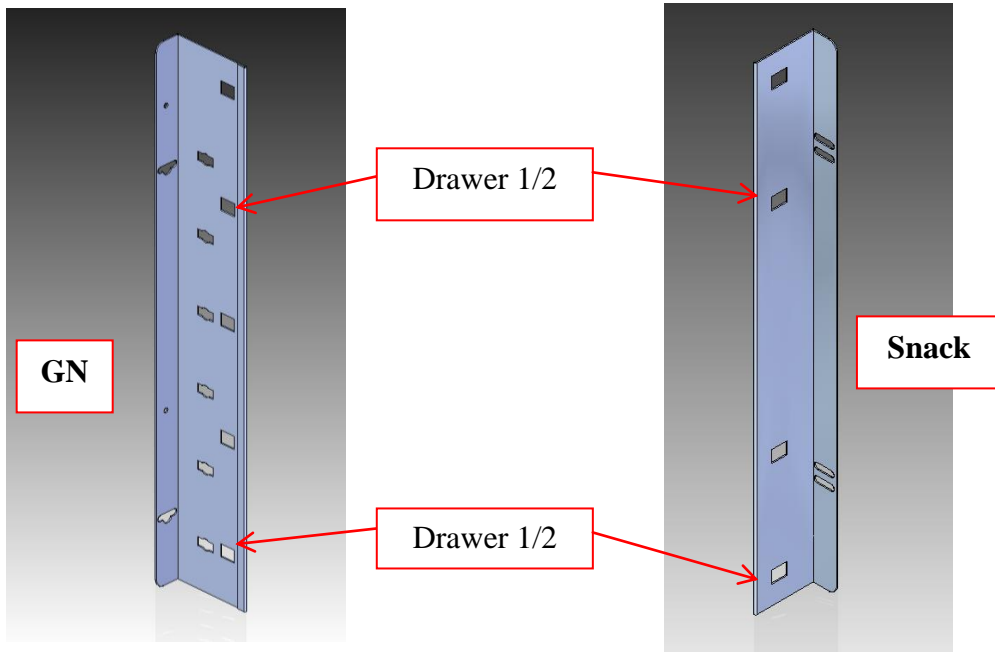


Drawer 1/2

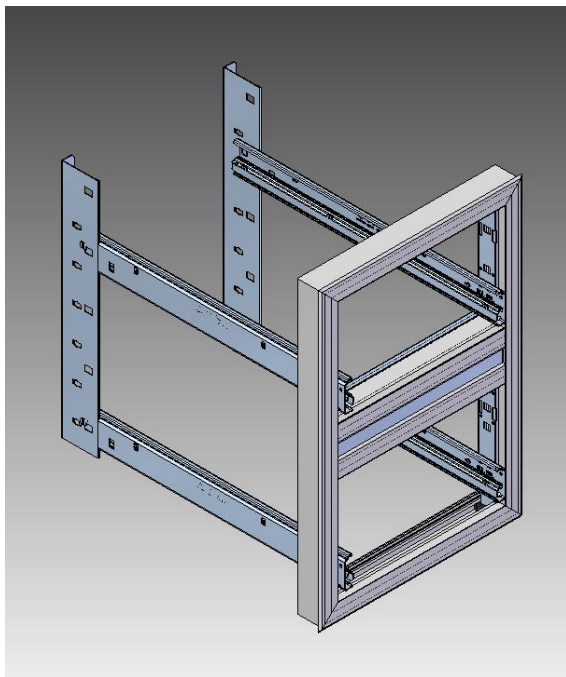


Dies in which are housed the guides for drawers

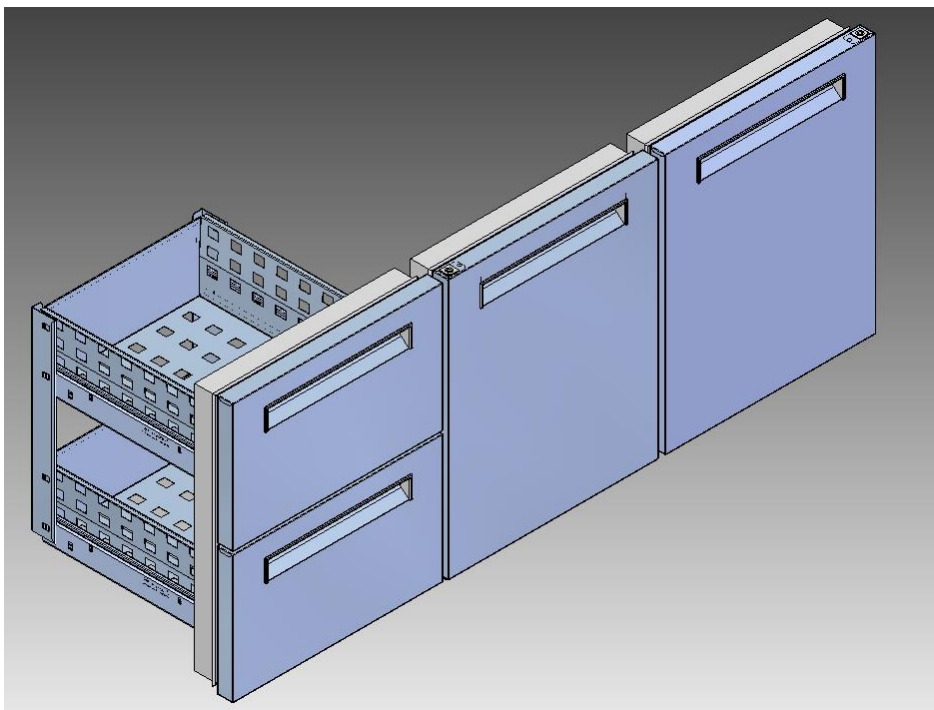
- Rear racks:



- Mounting view:

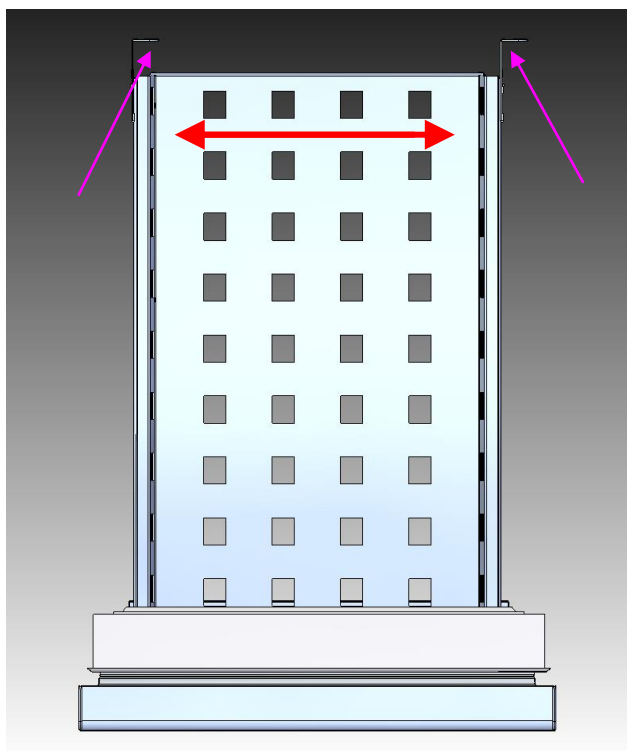


7. Put the drawers on the guides



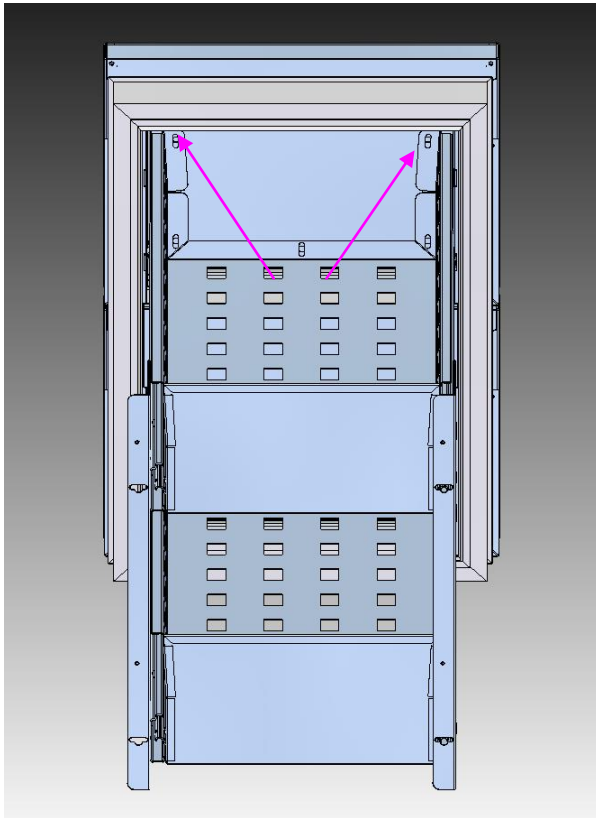
8. Regulate the drawers:

- Lateral regulation of the kits:



Regulate the whole Kit through the slots which have the rear racks, in the event that is not fully parallel to the drawer frame seen from above.

- Vertical regulation covers the drawers:



Regulate the height of each drawer with the slots that are in the shutters to make sure the gaskets stick well in frames and aligning all the drawers to aesthetically fit.

